

Technical pamphlet

edited by Roberto Chiono

Angle and distance of ball capture with the PLG Green

Preamble

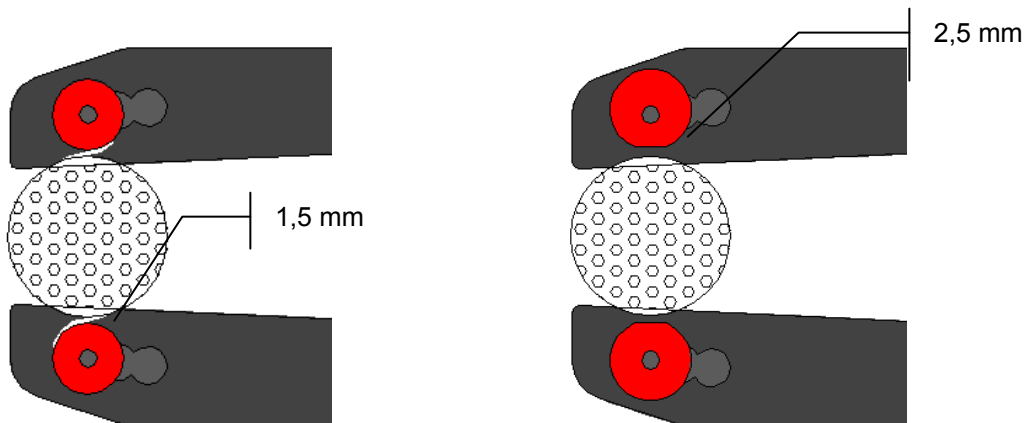
The angle of deviation from the straight line of ball launch and the distance are calculated considering that the ball is captured in the hole to a maximum of 4.8 cm (= 2.1 inches) to the left or right of the center hole, with a speed of the ball not more then:

STPM 8 0,78 m/sec	STPM 9 0,73 m/sec	STPM 10 0,70 m/sec	STPM 11 0,64 m/sec
-----------------------------	-----------------------------	------------------------------	------------------------------

speed corresponding to 43 cm (=1,4 feet = 17 inches) beyond the hole.

The distance is measured from the center of the golf ball to the front edge of the hole.

PLG Green gates position



Gates position	1,5 mm
Capture distance	7,0 meters
Ball launch deviation angle	0,39°

Gates position	2,5 mm
Capture distance	4,0 meters
Ball launch deviation angle	0,67°